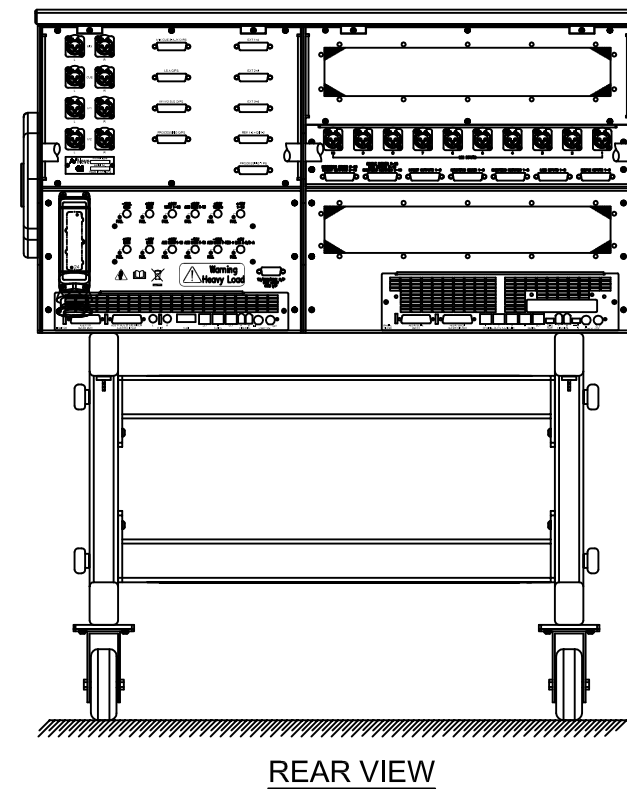
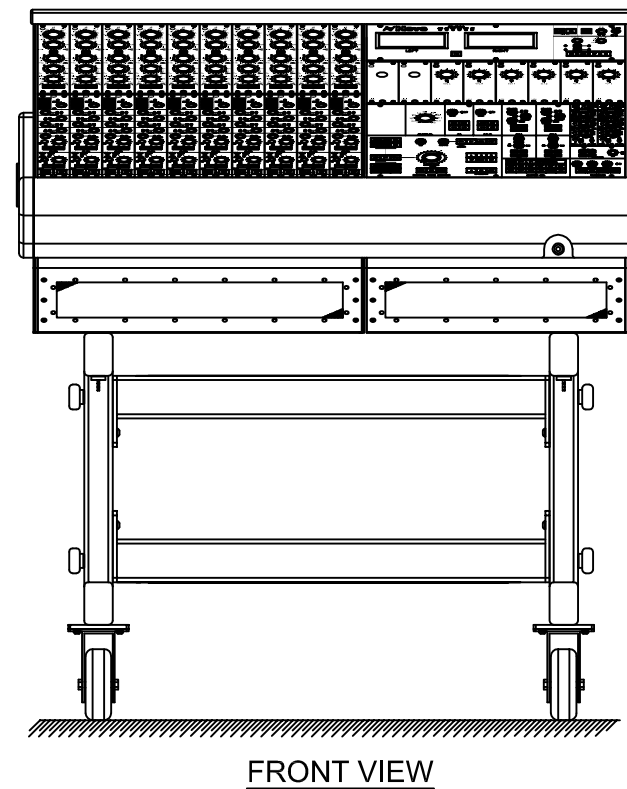
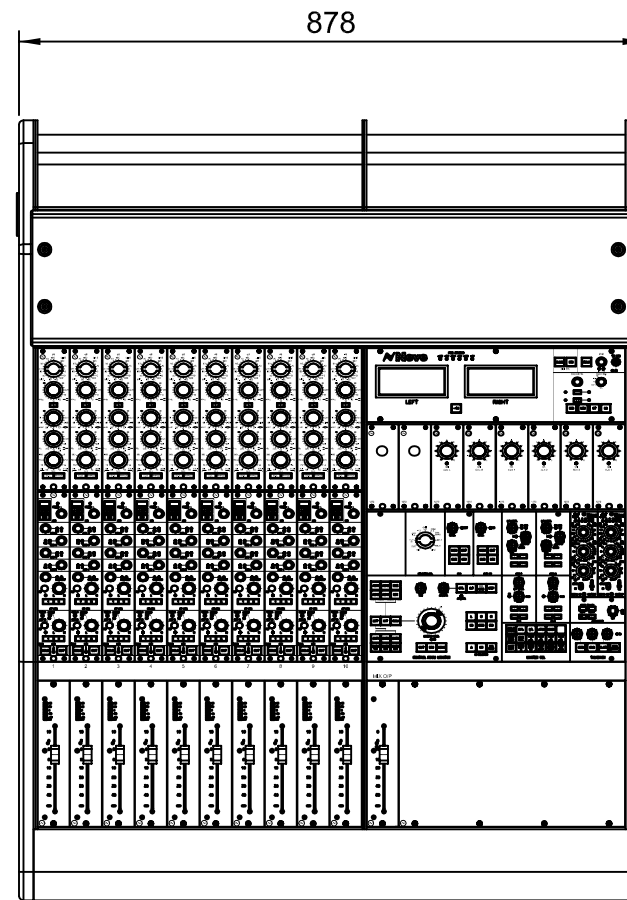
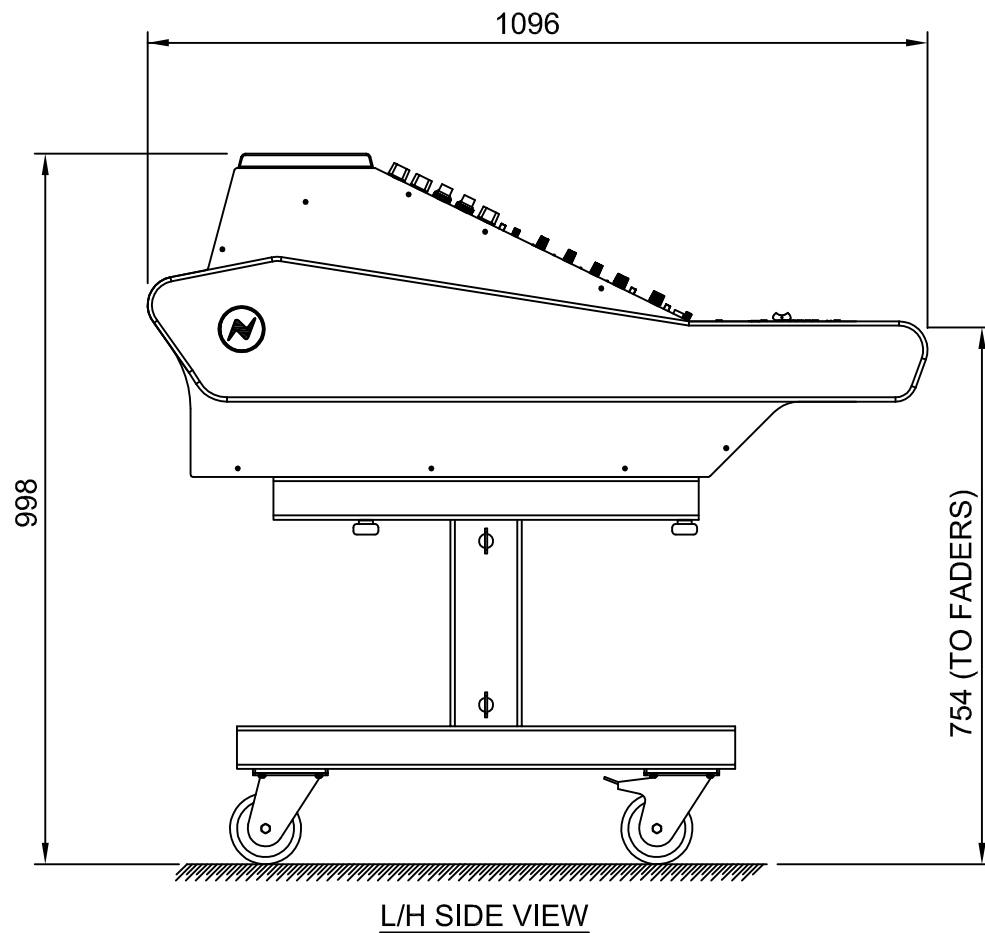


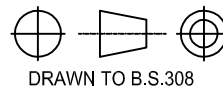
NOTES

1. CONSOLE FINISH:
CONSOLE TOP & BULKHEAD SIDE TRIMS MAHOGANY.
BLACK VINYL FRONT BUFFER.
ALL CLADDING PANELS ARE FINE TEXTURED BLACK PAINT.
ALMOND GRAVOPLY SCRIBBLE STRIPS WITH BLACK LETTERING.
2. FOR BLOCK DIAGRAM SEE EB11739.
3. PSU CABLE LENGTH UPON REQUEST UP TO 10 METRES.
4. HEADPHONE SOCKET IN FRONT TRIM - 3 POLE GAUGE "A" 1/4" TYPE.
5. LED METERS FITTED TO ALL CHANNEL FADERS.
6. LOCAL PATCH LAYOUTS ML20705 SHT.2 & SHT.3
7. STAND C/W CASTORS (OPTIONAL)
STAND FINISH IS FINE TEXTURED BLACK PAINT.



NAME	MOD. No.	DATE	ISS.
SMW	---	11.2.15	3
SMW	---	3.2.15	2
SMW	---	13.1.15	1

THIRD ANGLE PROJECTION



AMS NEVE LTD. owns the copyright to this drawing. It must not be copied in whole or in part, used for manufacture or otherwise disclosed without prior written consent of the company.
©AMS NEVE LTD.

TITLE: NEVE BCM10 MK2
(10 CHANNEL VERSION)
CONSOLE LAYOUT

DRAWN	APP'D	DATE
SMW		13.1.15

AMS NEVE LTD. BILLINGTON ROAD,
BURNLEY, LANCs. BB11 5UB, ENGLAND.
TEL: +44 (0)1282 457011 FAX: +44 (0)1282 417282.
WEBSITE: www.ams-neve.com

DRG No.	SHT
ML20705	1

SCALE 1:1