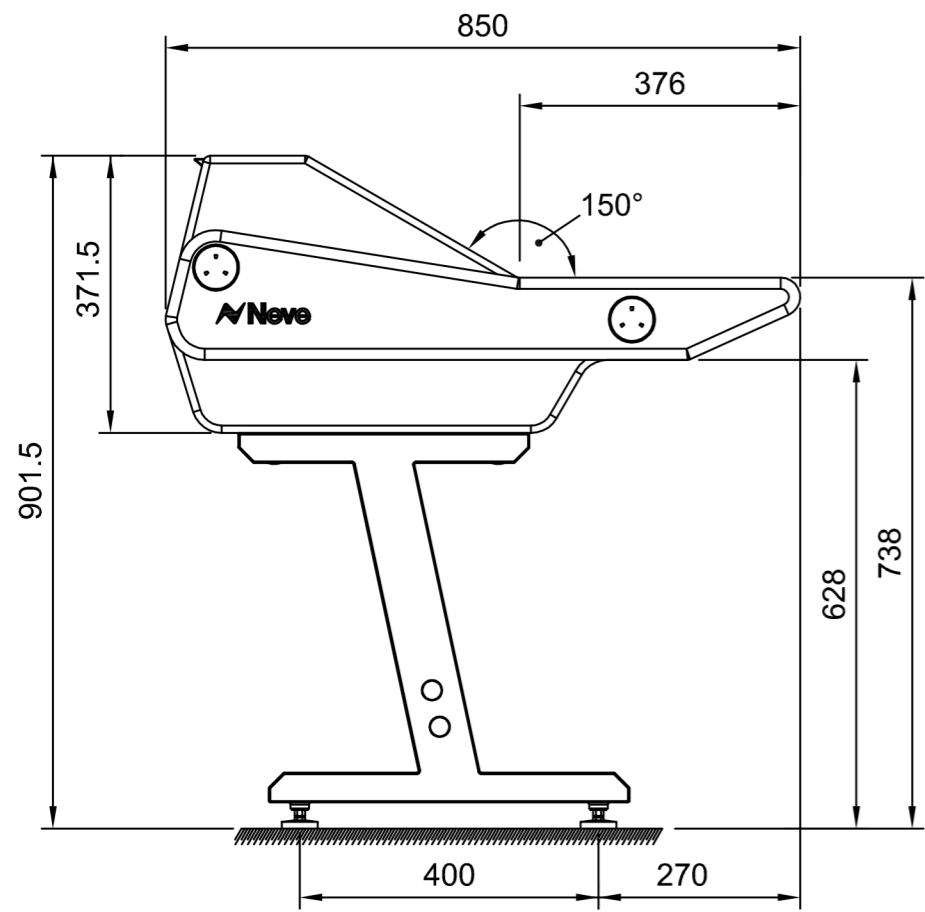
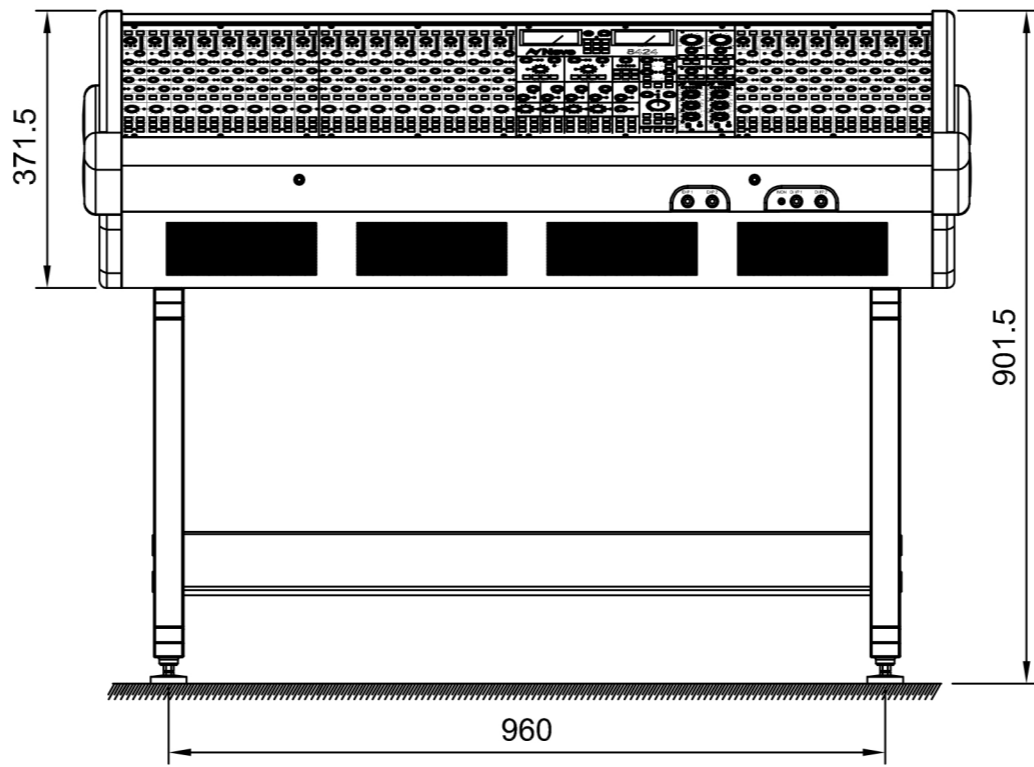


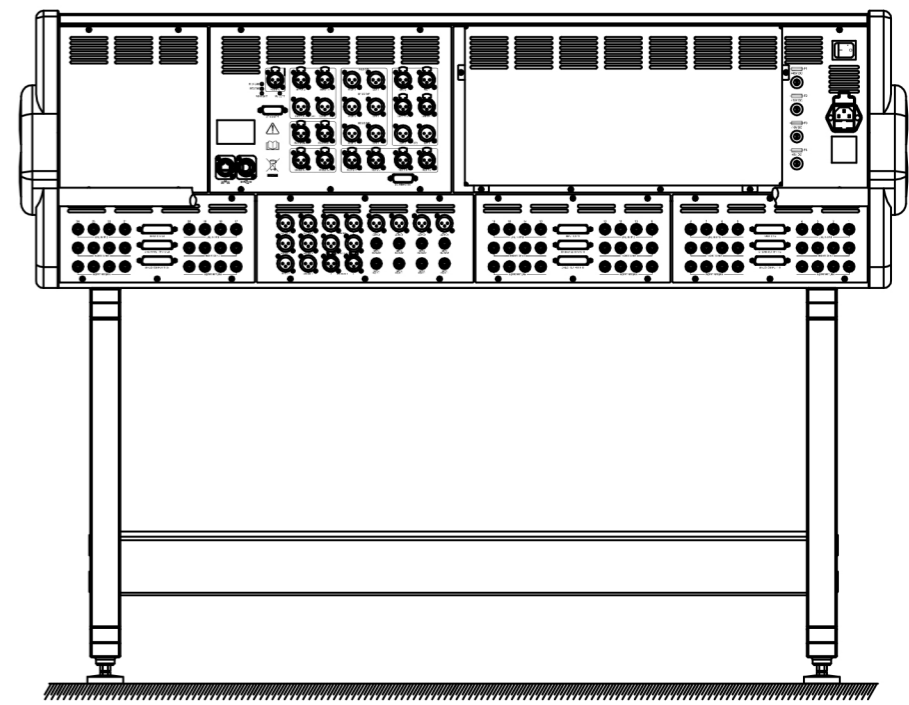
TOP VIEW



L/H SIDE VIEW



FRONT VIEW



REAR VIEW

SMW	PROTO.	9.1.19	2
SMW	PROTO.	23.8.18	1
NAME	MOD. No.	DATE	ISS.

THIRD ANGLE PROJECTION

 DRAWN TO B.S.308

AMS NEVE LTD. owns the copyright to this drawing. It must not be copied in whole or in part, used for manufacture or otherwise disclosed without prior written consent of the company.
 ©AMS NEVE LTD.

TITLE: NEVE 8424 CONSOLE LAYOUT & OVERALL DIMENSIONS (AMS NEVE LTD)

DRAWN	APP'D	DATE
SMW		21.6.18

AMS NEVE LIMITED - AMS TECHNOLOGY PARK - BILLINGTON ROAD
 BURNLEY - LANCASHIRE - ENGLAND - BB11 5LB
 Tel: +44 (0)1252 460711 Fax: +44 (0)1252 417282
 E-Mail: info@ams-neve.com - Web: www.ams-neve.com
 Registered in England No. 0478322

DRG No. SHT
 924-593 1

SCALE 1:1