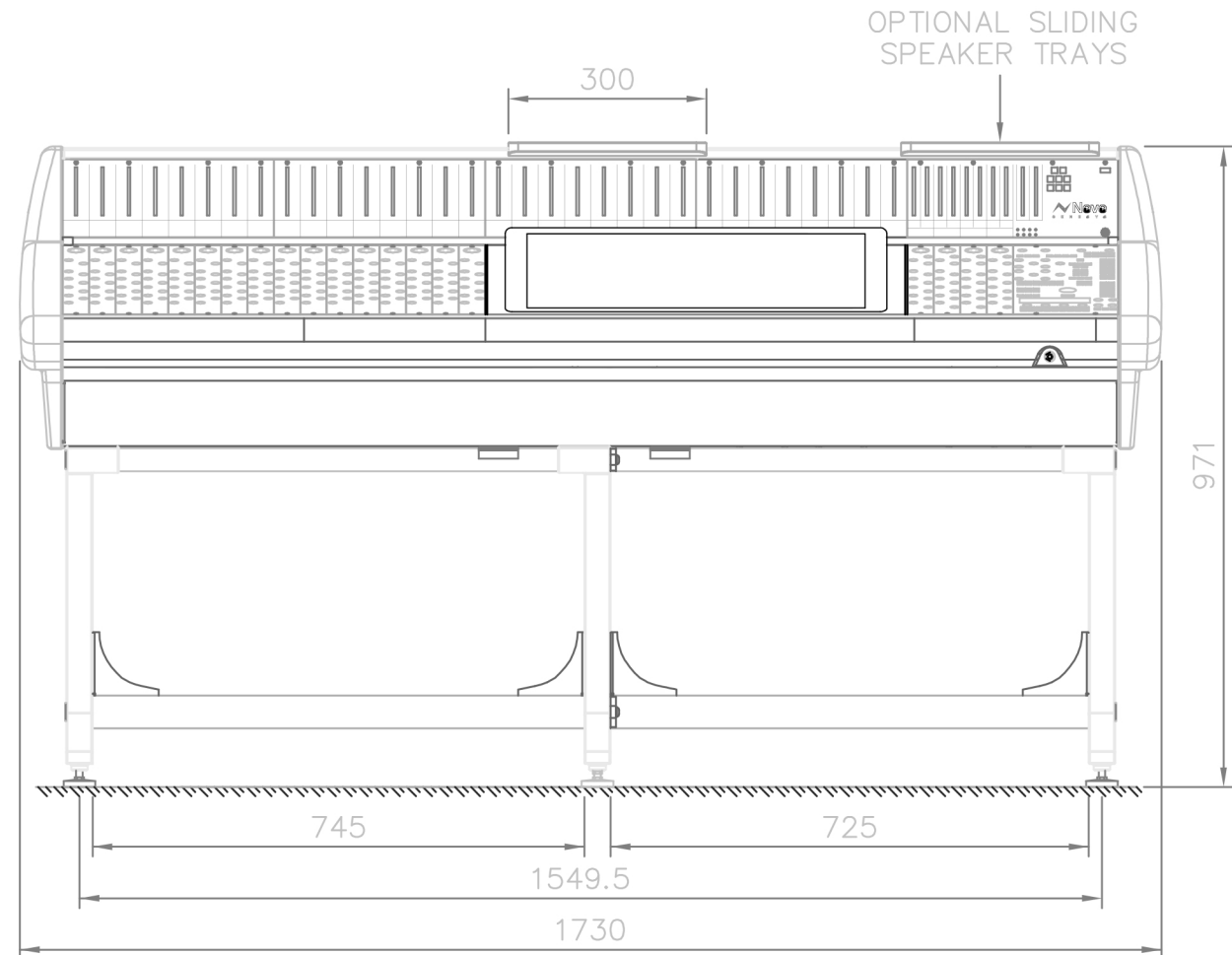
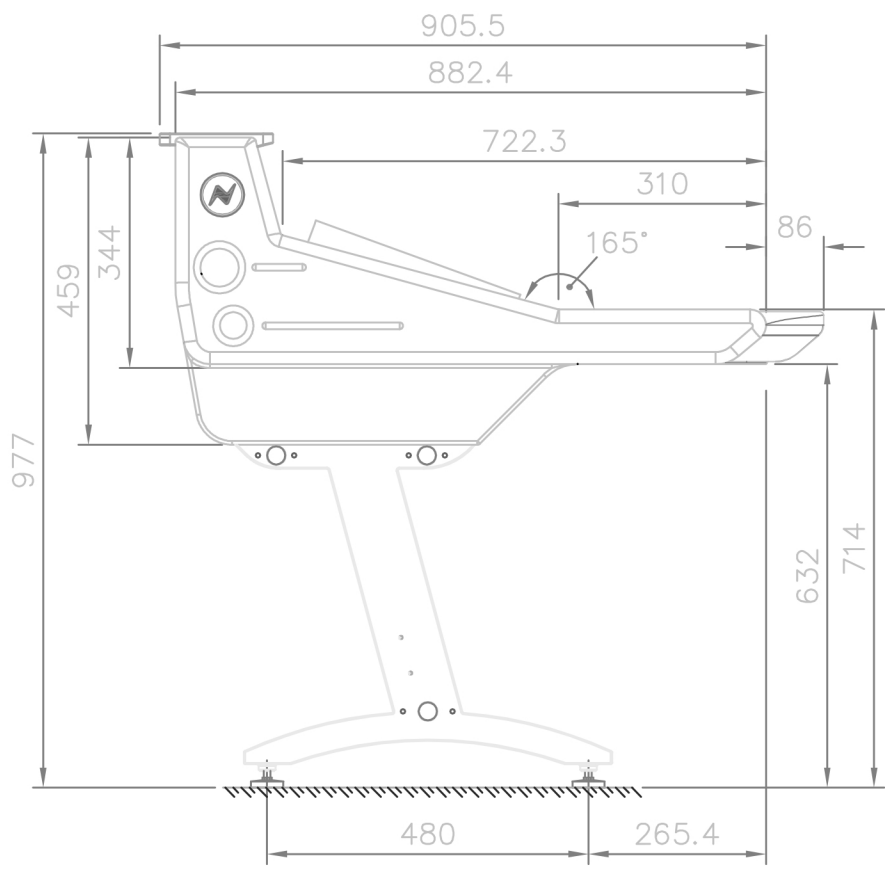


TOP VIEW




FRONT VIEW



SIDE VIEW

SMW	----	14.9.17	1
JW	----	12.5.14	A
NAME	MOD. No.	DATE	ISS.

THIRD ANGLE PROJECTION

 DRAWN TO B.S.308

AMS NEVE LTD. owns the copyright to this drawing. It must not be copied in whole or in part, used for manufacture or otherwise disclosed without prior written consent of the company.
 © AMS NEVE LTD.

TITLE: "GENESYS BLACK" CONSOLE 32FDR
 CONFIGURATION DETAILS

DRAWN	APP'D	DATE
JW		12.5.14

AMS NEVE LIMITED - AMS TECHNOLOGY PARK - BILLINGTON ROAD
 BURNLEY - LANCASHIRE - ENGLAND - BB11 5UB
 Tel: +44 (0)1282 457011 - Fax: +44 (0)1282 417282
 E-mail: info@ams-neve.com - Web: www.ams-neve.com
 Registered in England No 5478352



DRG No. SHT
 924-106 16