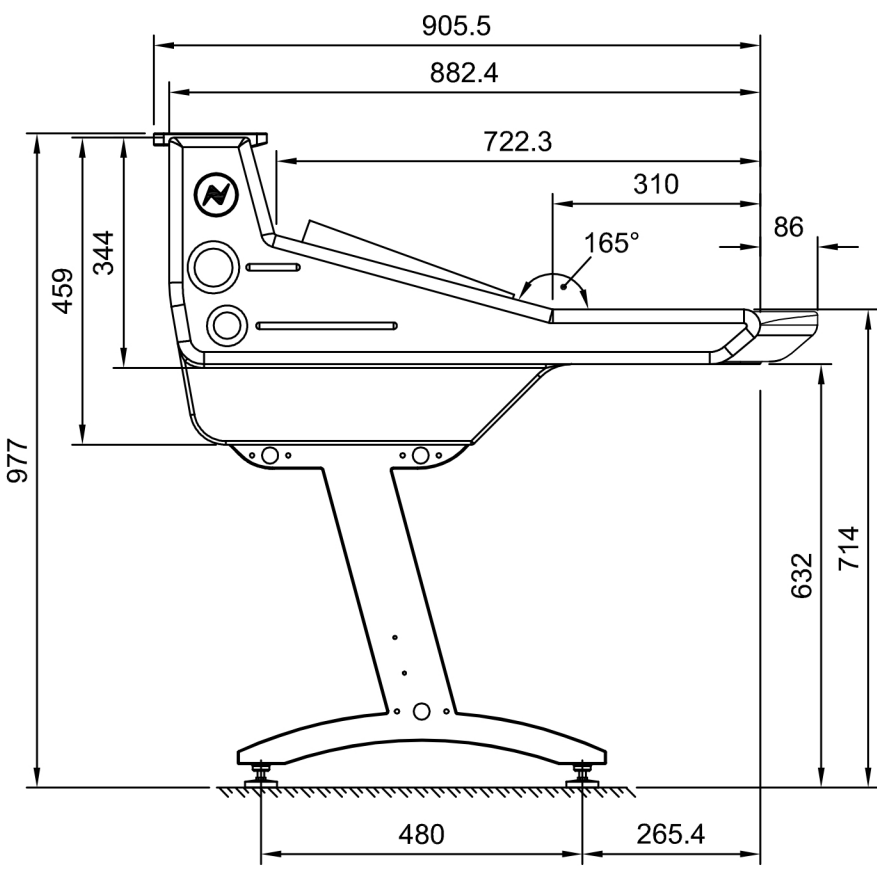
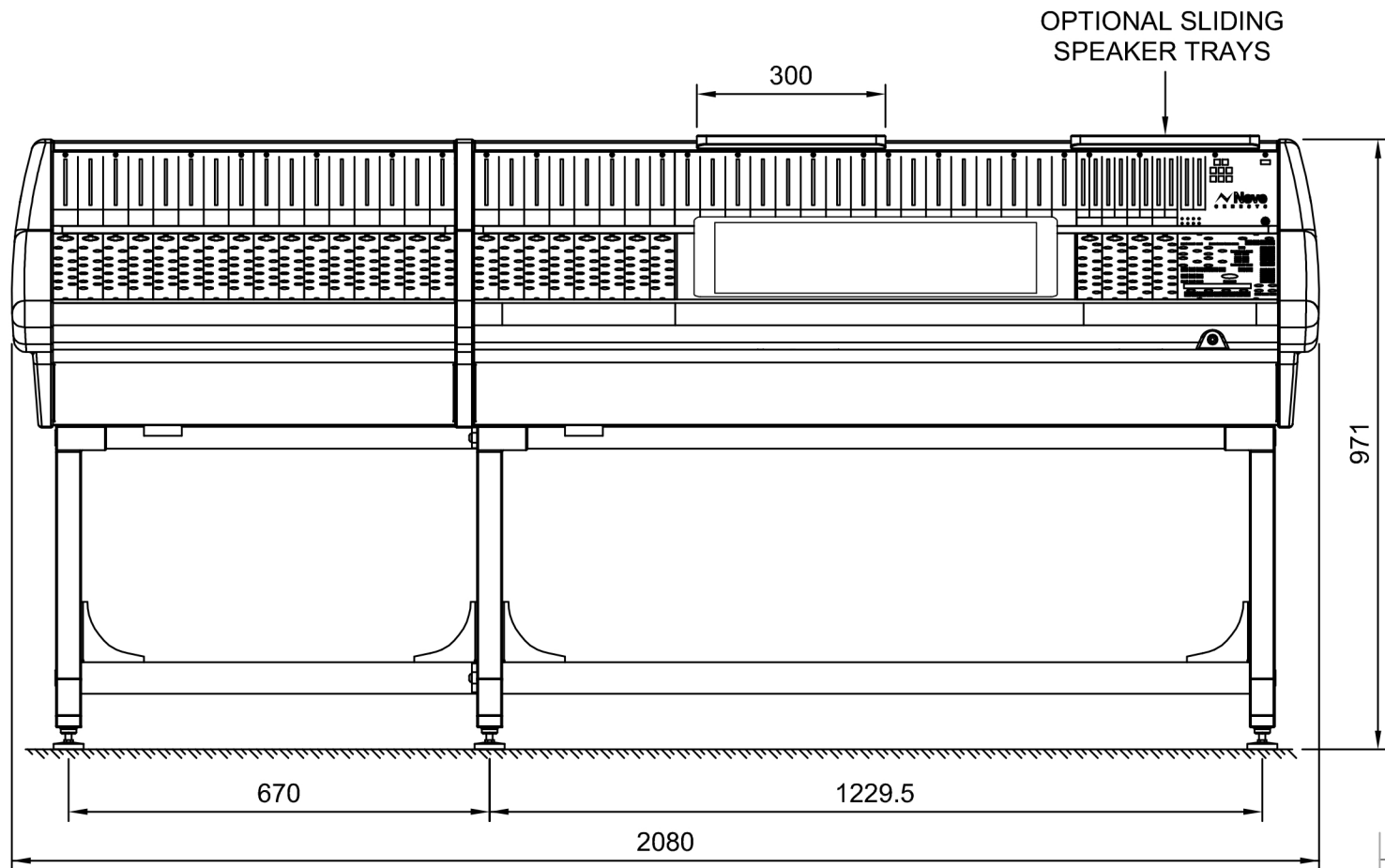


TOP VIEW




SIDE VIEW



FRONT VIEW

SMW	PROTO.	19.7.17	1
NAME	MOD. No.	DATE	ISS.

THIRD ANGLE PROJECTION

 DRAWN TO B.S.308

AMS NEVE LTD. owns the copyright to this drawing. It must not be copied in whole or in part, used for manufacture or otherwise disclosed without prior written consent of the company.
 ©AMS NEVE LTD.

TITLE: "GENESYS BLACK" CONSOLE 40FDR (SMALL FRAME)
 CONFIGURATION DETAILS

DRAWN	APP'D	DATE
SMW		19.7.17

AMS NEVE LIMITED - AMS TECHNOLOGY PARK - BILLINGTON ROAD
 BURMLEY - LANCASHIRE - ENGLAND - BB11 5UB
 Tel: +44 (0)1292 437011 - Fax: +44 (0)1292 417292
 E-mail: info@ams-neve.com - Web: www.ams-neve.com
 Registered in England No 5478352



DRG No.	SHT
924-106	14

SCALE 1:1